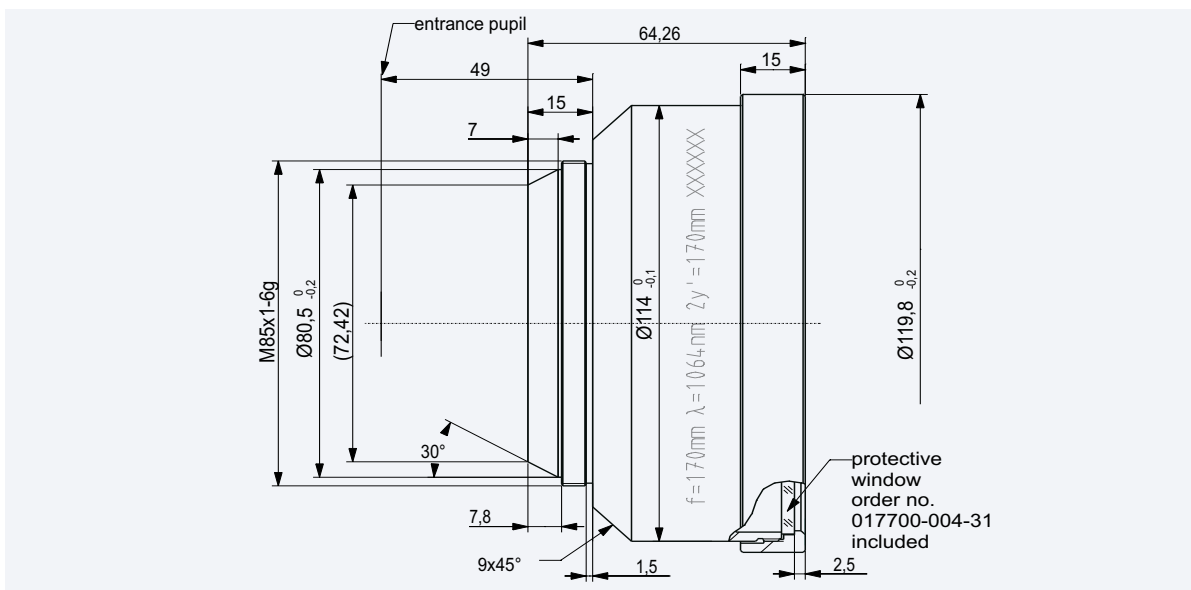
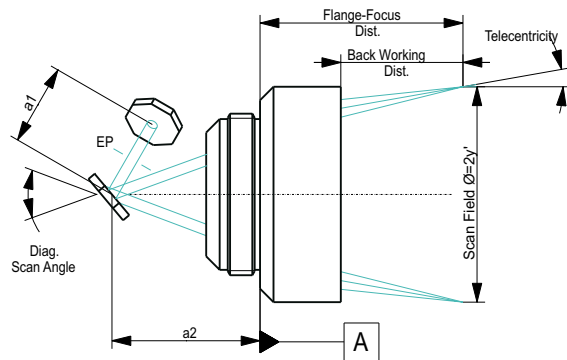




# JENar<sup>®</sup> 170-1064-170

## F-Theta lens for high image quality

Focal length:	170 mm
Wavelength:	1064 nm
Scan field Ø:	170 mm
Diagonal scan angle:	57.4°
Back working distance:	194 mm
Flange focus distance:	243.2 mm
Entrance pupil Ø:	21 mm
Input beam Ø 1/e <sup>2</sup> :	14 mm
Focus size Ø 1/e <sup>2</sup> :	24 µm
a1	17 mm
a2	40.5 mm
Telecentricity:	11.7°
Weight:	1.232 kg
Order number:	017700-018-26



It is our policy to constantly improve the design and specifications. Accordingly, the details represented herein cannot be regarded as final and binding.

017700-018-99-14-1208-en

JENOPTIK | Optical Systems  
 Optics Business Unit  
 JENOPTIK Laser, Optik, Systeme GmbH  
 Goeschwitzer Str. 25 | 07745 Jena | Germany  
 Phone +49 3641 65-3148 | Fax -3677  
 optics@jenoptik.com | www.jenoptik-los.com

Coastal Optical Systems, Inc.  
 16490 Innovation Drive | Jupiter | FL 33478 | USA  
 Phone +1 256 859-1886 | Fax +1 256 859-5890  
 sales@coastalopt.com | www.coastalopt.com

Optics