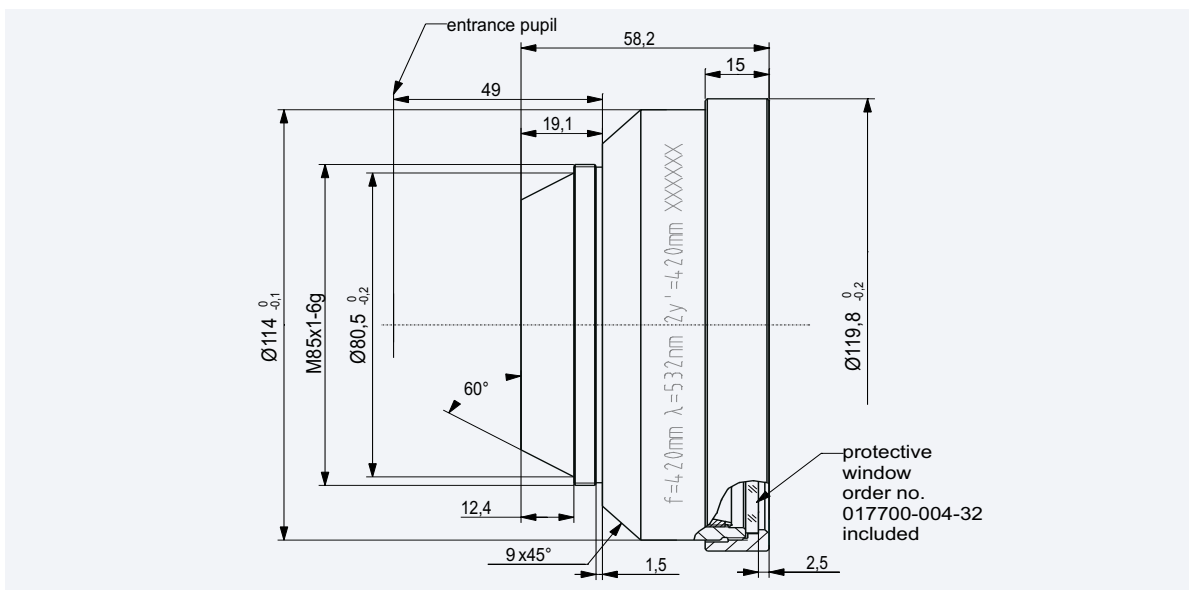
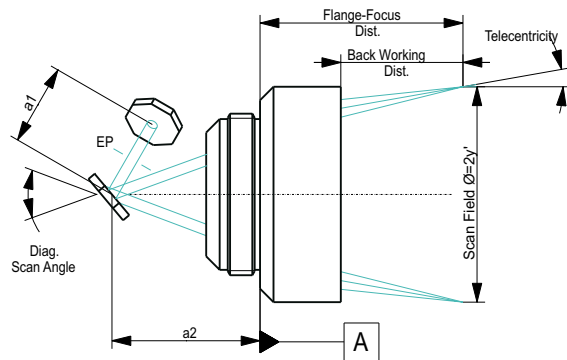




JENar[®] 420-532-420

F-Theta lens for large scan fields

Focal length:	420 mm
Wavelength:	532 nm
Scan field Ø:	420 mm
Diagonal scan angle:	57.1°
Back working distance:	485.2 mm
Flange focus distance:	524.3 mm
Entrance pupil Ø:	21 mm
Input beam Ø 1/e ² :	15 mm
Focus size Ø 1/e ² :	27 µm
a1	17 mm
a2	40.5 mm
Telecentricity:	19.3°
Weight:	0.978 kg
Order number:	017700-207-26



It is our policy to constantly improve the design and specifications. Accordingly, the details represented herein cannot be regarded as final and binding.

JENOPTIK | Optical Systems
 Optics Business Unit
 JENOPTIK Laser, Optik, Systeme GmbH
 Goeschwitzer Str. 25 | 07745 Jena | Germany
 Phone +49 3641 65-3148 | Fax -3677
 optics@jenoptik.com | www.jenoptik-los.com

Coastal Optical Systems, Inc.
 16490 Innovation Drive | Jupiter | FL 33478 | USA
 Phone +1 256 859-1886 | Fax +1 256 859-5890
 sales@coastalopt.com | www.coastalopt.com

Optics