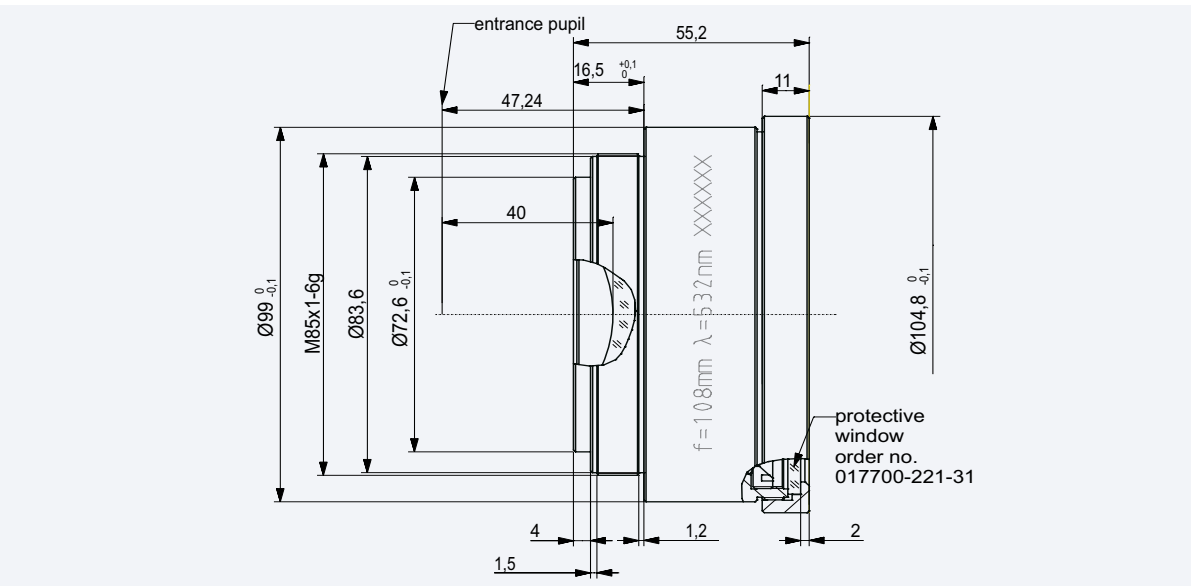
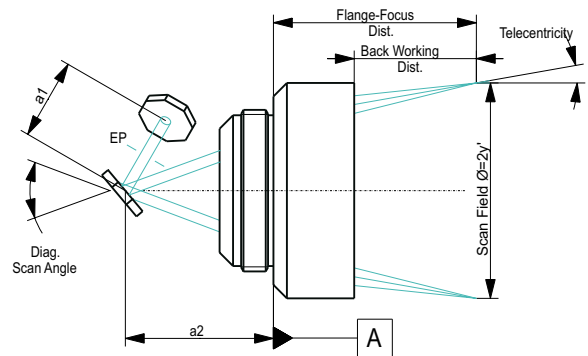




# JENar<sup>®</sup> 03-75FT-108-532

## Telecentric Lens

Focal length:	108.5 mm
Wavelength:	532 nm
Scan field Ø:	75 mm
Diagonal scan angle:	40°
Back working distance:	132.2 mm
Flange focus distance:	170.9 mm
Entrance pupil Ø:	22 mm
Input beam Ø 1/e <sup>2</sup> :	15 mm
Focus size Ø 1/e <sup>2</sup> :	7 µm
a1	16 mm
a2	39.2 mm
Telecentricity:	3.7°
Weight:	0.9 kg
Order number:	017700-203-26



It is our policy to constantly improve the design and specifications. Accordingly, the details represented herein cannot be regarded as final and binding.

017700-203-99-14-0809-en

JENOPTIK | Optical Systems  
 Optics Business Unit  
 JENOPTIK Laser, Optik, Systeme GmbH  
 Goeschwitzer Str. 25 | 07745 Jena | Germany  
 Phone +49 3641 65-3148 | Fax -3677  
 optics@jenoptik.com | www.jenoptik-los.com

JENOPTIK Optical Systems, Inc.  
 16490 Innovation Drive | Jupiter | FL 33478 | USA  
 Phone +1 561 881-7400 | Fax +1 561 881-1947  
 sales@jenoptik-inc.com | www.jenoptik-inc.com

Optics