

Telecentric Transmission Illuminators

TDB 150, TDB 90, TDB 35 and TDB 15

An optical component ideally suited for:

- Machine vision in transmitted light mode
- Object identification
- Object analysis
- Determination of position

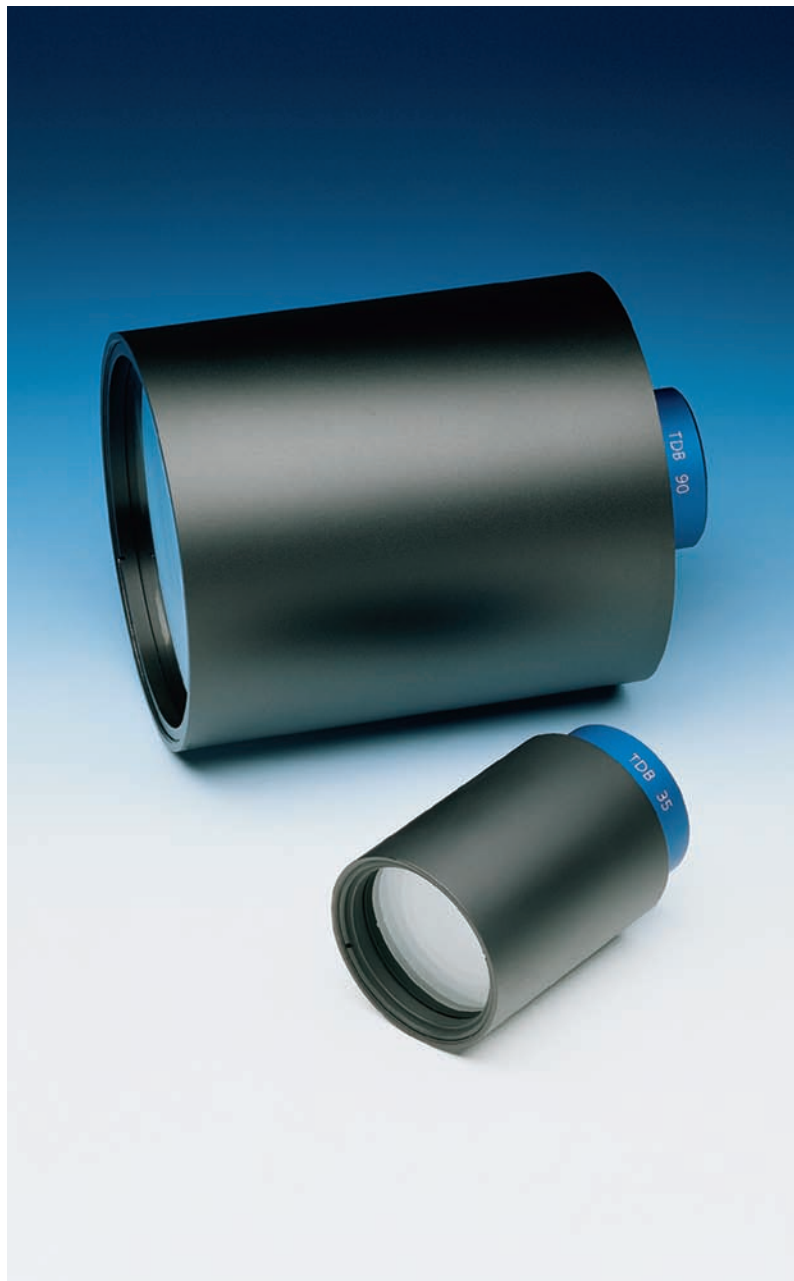
TDB 150, TDB 90, TDB 35 and TDB 15 are telecentric transmission illuminators providing a basis for your modular system for image processing in transmitted light mode.

They are distinguished by a short design length and allow great working distances.

A sturdy construction and excellent optical features make them ideal components for industrial image processing.


With the exception of the TDB 15 the illuminator modules can be offered optionally with adapters for the connection with a LED or cold-light source. The TDB 15 module is already equipped with an integrated LED light source.

In terms of optical performance the illuminators are perfectly matched to the telecentric lenses of the JENmetar™ product family. Of course we like to assist you to combine with other lenses.

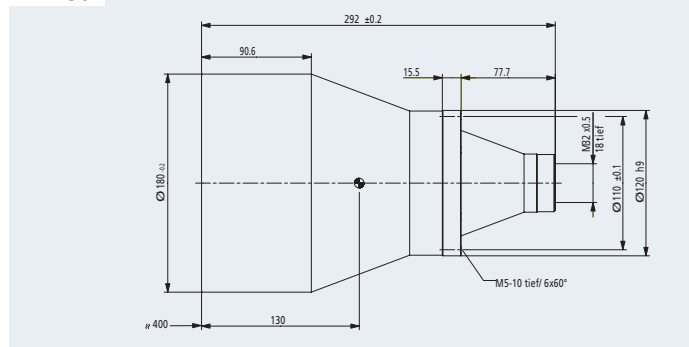


Telecentric Transmission Illuminators

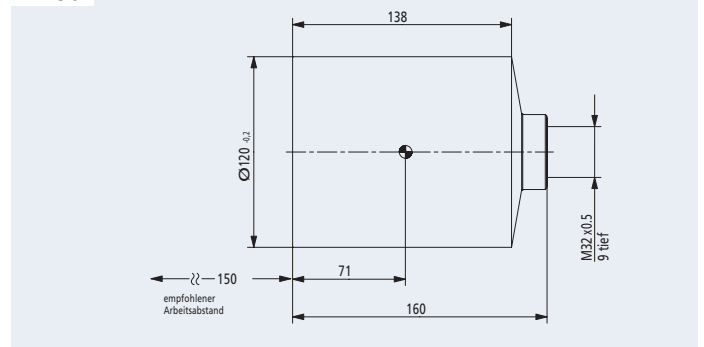
Specifications

	TDB 150	TDB 90	TDB 35	TDB 15
Light field diameter:	150 mm	90 mm	35 mm	15 mm
Working distance:	(400 ± 100) mm	(150 ⁺⁵⁰ / ₋₁₀₀) mm	(100 ± 50) mm	(100 ± 25) mm
Weight:	approx. 2600 g	approx. 1300 g	approx. 300 g	approx. 72 g
Inhomogeneity: (with recommended JENmetar™ lenses)	≤ 20 %	≤ 10 %	≤ 5 %	≤ 20 %
Position of centre of gravity 	see drawing	see drawing	see drawing	see drawing
Recommended for:	JENmetar™ 0,075x/9 JENmetar™ 0,1x/9 JENmetar™ 0,1x/12 JENmetar™ 0,13x/12 JENmetar™ 0,2x/12 JENmetar™ 1:6,6/0,067/9 LD	JENmetar™ 0,13x/12 JENmetar™ 0,2x/12 JENmetar™ 1:6,6/0,067/9 LD	JENmetar™ 1x/12 LD JENmetar™ 1x/12 ELD JENmetar™ 0,4x/12	JENmetar™ 0,6x/8 JENmetar™ 1x/12 LD JENmetar™ 1x/12 ELD JENmetar™ 1x/8A
LED light source:	LQ-r, recommended	LQ-r, recommended	LQ-r, recommended	integrated
Wavelength:				625 nm
Operating voltage:				max. 33 V
Current:				max. 350 mA, limited
Order number:	017003-004-26	017003-002-25	0173003-003-25	017003-006-26

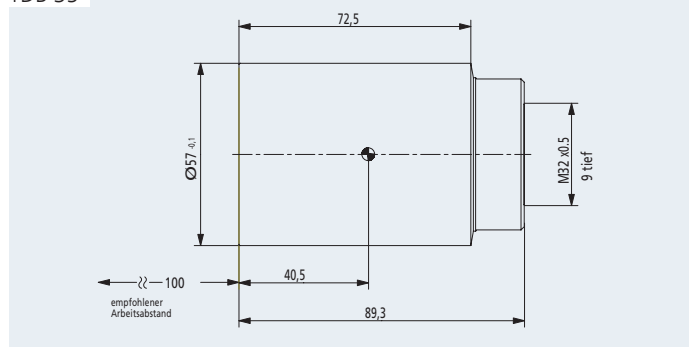
TDB 150



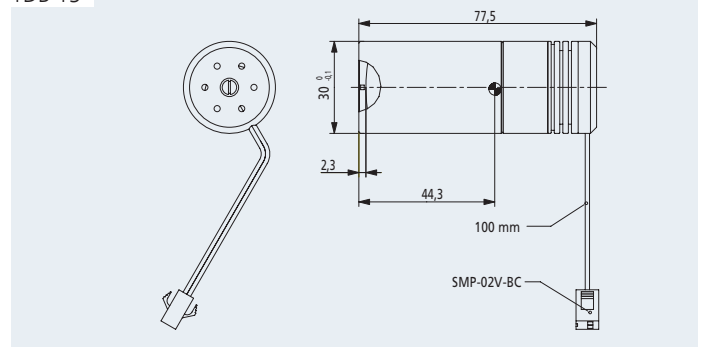
TDB 90



TDB 35



TDB 15



It is our policy to constantly improve the design and specifications of our products. Accordingly, the details represented herein cannot be regarded as final and binding..



JENOPTIK Laser, Optik, Systeme GmbH
Business Unit Optics
Goeschwitzer Strasse 25, 07745 Jena, Germany
Phone +49 3641 65-3311 Fax +49 3641 65-3677
E-mail: optics@jenoptik.com
Internet: www.jenoptik-los.com